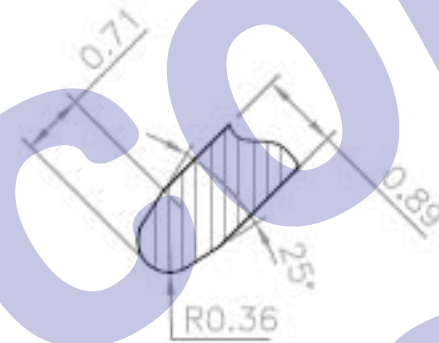
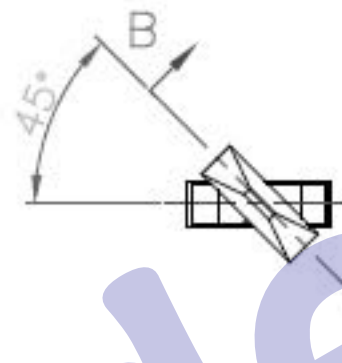
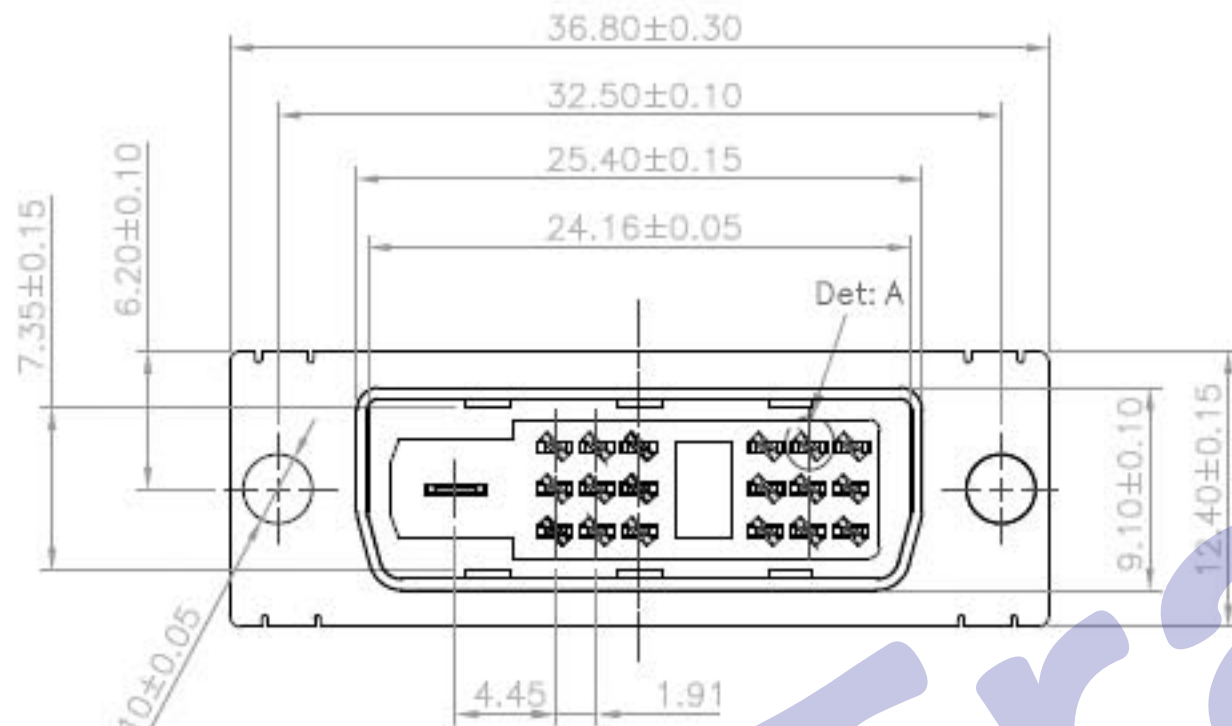


RoHS Compliant

REV.	ECN NO	LTR	DESCRIPTION	REVISER	DATE



Material:

1. Insulator: PBT(Black)+30%Glass Fiber (UL94V-0)
2. Contact: Brass C2680 H65
3. Contact Plated: Au 5u"/ Sn 100u" Min. over Ni 50u" Plated
4. Shell: SPCC-SD salt test 12H
5. Shell Plated: Cu60u"/Ni100u"-120u" and Cu60u"/Sn100u"-120u" and Cu60u"/Ni100u"-120u"

Electrical Specification

1. Contact Resistance: 20m $\Omega$  MAX
2. Insulation Resistance: 1000M $\Omega$  MIN
3. Dielectric Withstanding Voltage: 500V DC

Environmental

Operating Temperature: -20°C-85°C.

Mating and unmating forces:

Test condition: ANSI/EIA364-13 insert and extract at a speed of 25mm/minute.

Unmating forces: 1Kgf Min. 4Kgf Max.; Mating forces: 4.5Kgf Max.

contact retention for housing: 0.8Kgf Min./PIN.

Rohs compliant.

(DWG NO)	G-313-S2-41	(UNIT): MM
(MODEL NO)		(SCALE) 1:1
(REV): A/0	(PAGE): 1/1	
(DESIGN)	gao 08.12.05	TOLERANCE UNSPECIFIED
(CHECKED)	JLH	X.X $\pm 0.15$
(APPROVED)		X.XX $\pm 0.05$
		X.XXX $\pm 0.03$
		X" $\pm 3$ "
		X.X" $\pm 1$ "

HDC 有限公司

(ITEM NO) DVI 18+1PIN公头屏蔽G/F大卡点7.35  
脚脚改宽改浅 T6.15 端子5.6/2.9

(PART NO) GDVI-18+1 Male